



LIBRARY / SINGLE CARREL / 35" H

LAMINATE SELECTIONS

BLACK* (174)	EMPIRE MAHOGANY (531)	FASHION GREY (227)	WILD CHERRY (567)	CARBON EV (376)
SLATE GREY* (129)	WALNUT (537)	GRAPHITE NEBULA (030)	TUSCAN WALNUT (695)	HARD ROCK MAPLE (577)
SHADOW (120)	ENGLISH OAK (510)	GREY NEBULA (044)	NATURAL PEAR (604)	

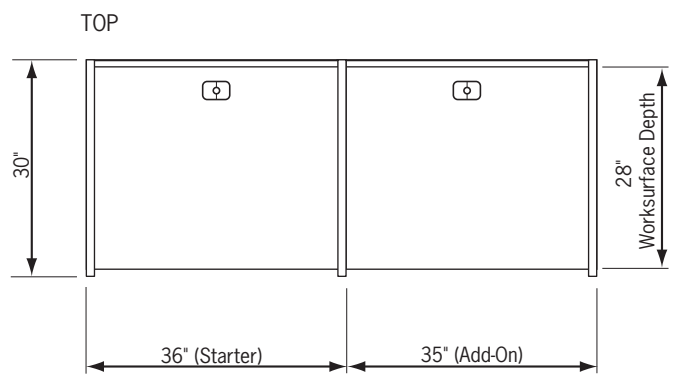
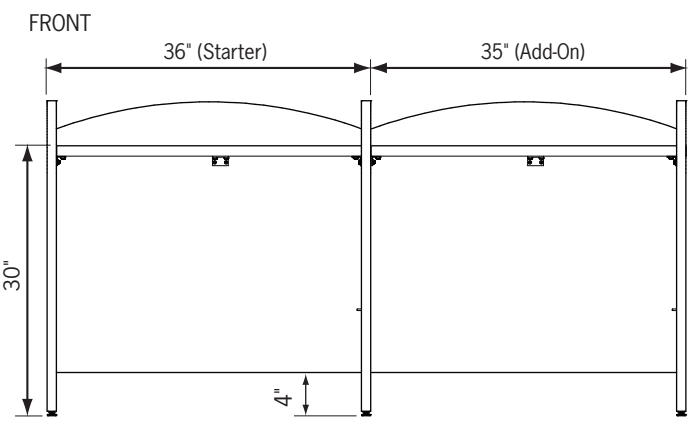
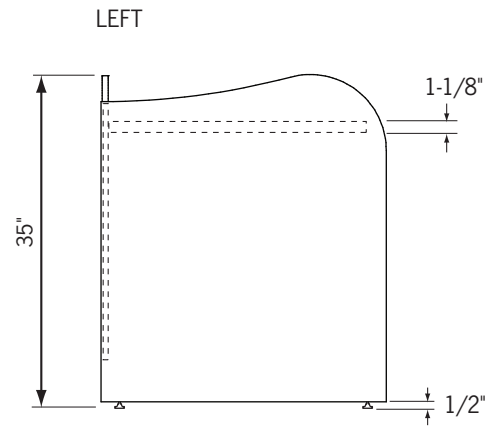
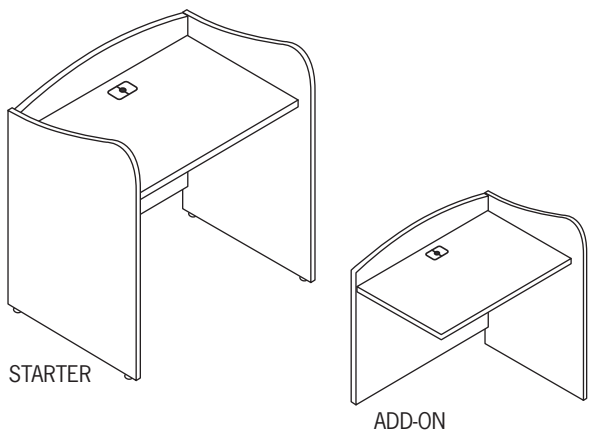
* Not recommended for work surfaces

VISUAL DISPLAY OPTIONS

- TROLLEY E & EXL:**
TE0724NK or TE0728NK
TE0724CK or TE0728CK (26" Min. worksurface depth required)
- FLAT PANEL DOWNVIEW:**
FPA1621NK & FPA1621AK (24" Min. worksurface depth required)
FPA1818NK & FPA1818AK (24" Min. worksurface depth required)
FPA1821NK & FPA1821AK (24" Min. worksurface depth required)
FPA2121NK & FPA2121AK (30" Min. worksurface depth required)
- SURFACE MOUNT ARM:**
SMA0203NK & SMA0203CK

*If visual display option is specified, a CPU shelf will be added.

SINGLE CARREL - 35" H



FEATURES

- 1" (25.4mm) thermofused melamine work surface
- 1/16" (2mm) banding
- Standard edge detail: 2mm Flat PVC
- Vertical graining on full-length modesty panels
- Bookmatched vertical grain on door and drawer fronts
- Matching edge banding colors
- 155° hinges
- 1/16" (2mm) banding around all doors and drawers
- Manufactured with recycled post-industrial materials
- Ships unassembled
- 8" deep fixed accessory shelf
- Rectangular black plastic grommet in worksurface

Also available:
Wire management, six plug power strip, keyboards, grommets, dataports, CPU holder, and other accessories

MATCHING METAL COLORS (For furniture with metal modesty/legs)

POLISHED BLACK (PBL)	POLISHED SILVER (PSL)
SLATE (SLL)	



LIBRARY / SINGLE CARREL / 53" H

LAMINATE SELECTIONS

BLACK* (174)	EMPIRE MAHOGANY (531)	FASHION GREY (227)	WILD CHERRY (567)	CARBON EV (376)
SLATE GREY* (129)	WALNUT (537)	GRAPHITE NEBULA (030)	TUSCAN WALNUT (695)	HARD ROCK MAPLE (577)
SHADOW (120)	ENGLISH OAK (510)	GREY NEBULA (044)	NATURAL PEAR (604)	

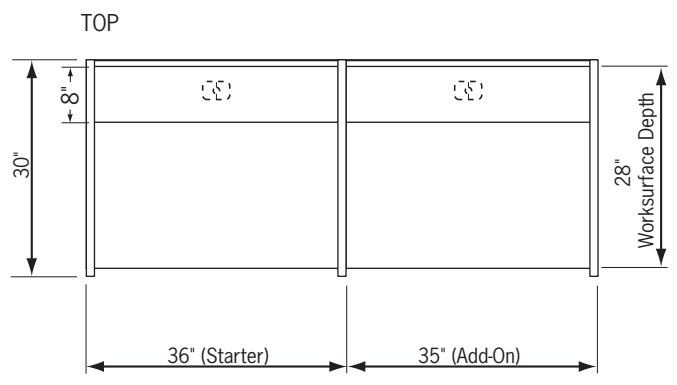
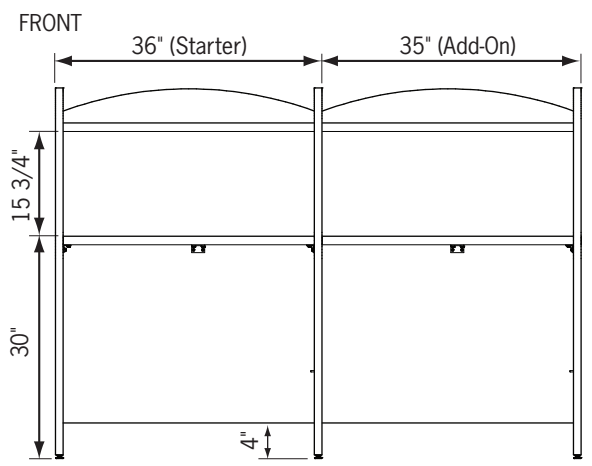
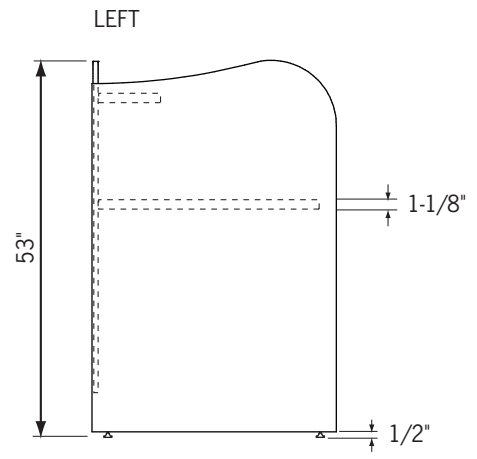
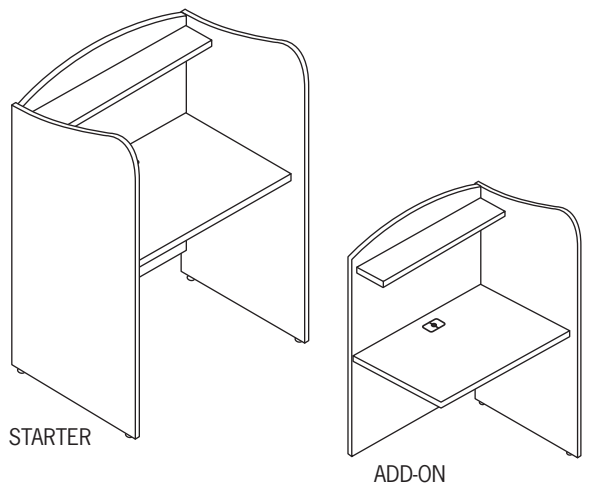
* Not recommended for work surfaces

VISUAL DISPLAY OPTIONS

- TROLLEY E or EXL:**
 TE0724NK or TE0728NK
 TE0724CK or TE0728CK (26" Min. worksurface depth required)
- FLAT PANEL DOWNVIEW:**
 FPA1621NK & FPA1621AK (24" Min. worksurface depth required)
 FPA1818NK & FPA1818AK (24" Min. worksurface depth required)
 FPA1821NK & FPA1821AK (24" Min. worksurface depth required)
 FPA2121NK & FPA2121AK (30" Min. worksurface depth required)
- SURFACE MOUNT ARM:**
 SMA0203NK & SMA0203CK

*If visual display option is specified, a CPU shelf will be added.

SINGLE CARREL - 53" H



FEATURES

- 1" (25.4mm) thermofused melamine work surface
- 1/16" (2mm) banding
- Standard edge detail: 2mm Flat PVC
- Vertical graining on full-length modesty panels
- Bookmatched vertical grain on door and drawer fronts
- Matching edge banding colors
- 155° hinges
- 1/16" (2mm) banding around all doors and drawers
- Manufactured with recycled post-industrial materials
- Ships unassembled
- 8" deep fixed accessory shelf
- Rectangular black plastic grommet in worksurface

Also available:
 Wire management, six plug power strip, keyboards, grommets, dataports, CPU holder, and other accessories

MATCHING METAL COLORS (For furniture with metal modesty/legs)

POLISHED BLACK (PBL)	POLISHED SILVER (PSL)
SLATE (SLL)	



LIBRARY / DOUBLE CARREL / 35" H

LAMINATE SELECTIONS

BLACK* (174)	EMPIRE MAHOGANY (531)	FASHION GREY (227)	WILD CHERRY (567)	CARBON EV (376)
SLATE GREY* (129)	WALNUT (537)	GRAPHITE NEBULA (030)	TUSCAN WALNUT (695)	HARD ROCK MAPLE (577)
SHADOW (120)	ENGLISH OAK (510)	GREY NEBULA (044)	NATURAL PEAR (604)	

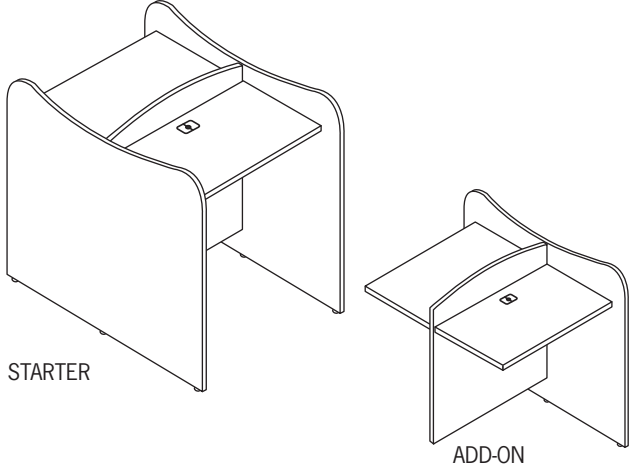
* Not recommended for work surfaces

VISUAL DISPLAY OPTIONS

- TROLLEY E or EXL:**
TE0724NK or TE0728NK
TE0724CK or TE0728CK (26" Min. worksurface depth required)
- FLAT PANEL DOWNVIEW:**
FPA1621NK & FPA1621AK (24" Min. worksurface depth required)
FPA1818NK & FPA1818AK (24" Min. worksurface depth required)
FPA1821NK & FPA1821AK (24" Min. worksurface depth required)
FPA2121NK & FPA2121AK (30" Min. worksurface depth required)
- SURFACE MOUNT ARM:**
SMA0203NK & SMA0203CK

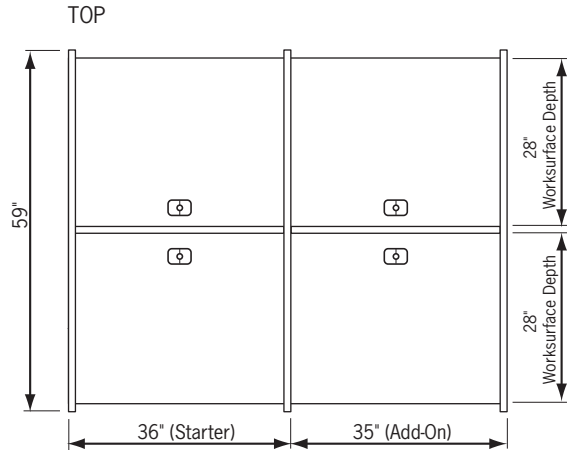
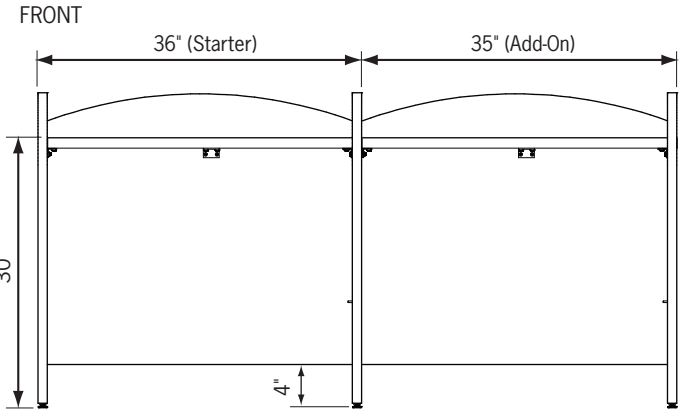
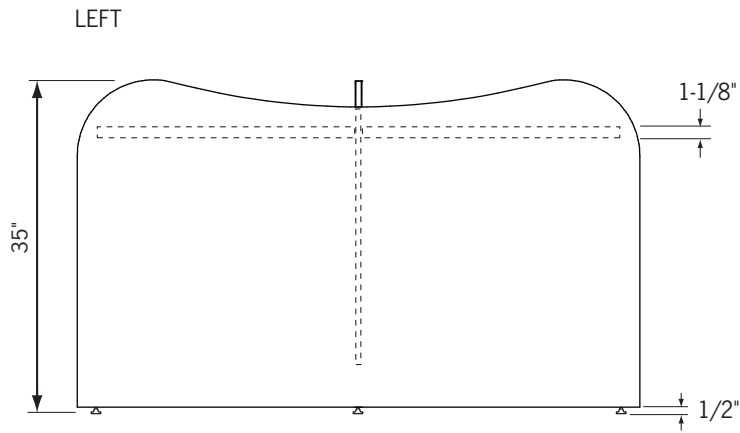
*If visual display option is specified, a CPU shelf will be added.

DOUBLE CARREL - 35" H



STARTER

ADD-ON



FEATURES

- 1" (25.4mm) thermofused melamine work surface
 - 1/16" (2mm) banding
 - Standard edge detail: 2mm Flat PVC
 - Vertical graining on full-length modesty panels
 - Bookmatched vertical grain on door and drawer fronts
 - Matching edge banding colors
 - 155° hinges
 - 1/16" (2mm) banding around all doors and drawers
 - Manufactured with recycled post-industrial materials
 - Ships unassembled
 - 8" deep fixed accessory shelf
 - Rectangular black plastic grommet in worksurface
- Also available:**
- Wire management, six plug power strip, keyboards, grommets, dataports, CPU holder, and other accessories

MATCHING METAL COLORS (For furniture with metal modesty/legs)

POLISHED BLACK (PBL)	POLISHED SILVER (PSL)
SLATE (SLL)	



LIBRARY / DOUBLE CARREL / 53" H

LAMINATE SELECTIONS

BLACK* (174)	EMPIRE MAHOGANY (531)	FASHION GREY (227)	WILD CHERRY (567)	CARBON EV (376)
SLATE GREY* (129)	WALNUT (537)	GRAPHITE NEBULA (030)	TUSCAN WALNUT (695)	HARD ROCK MAPLE (577)
SHADOW (120)	ENGLISH OAK (510)	GREY NEBULA (044)	NATURAL PEAR (604)	

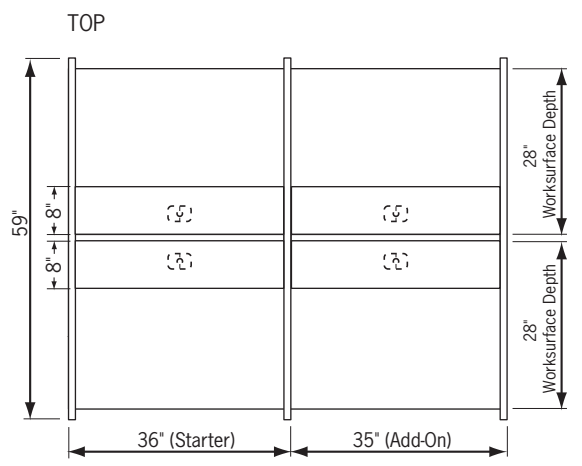
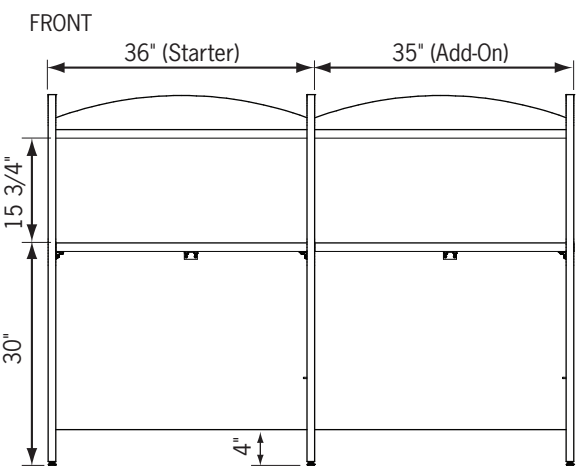
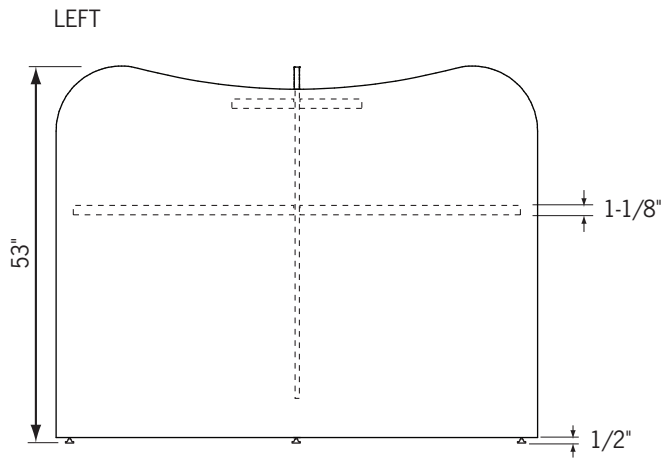
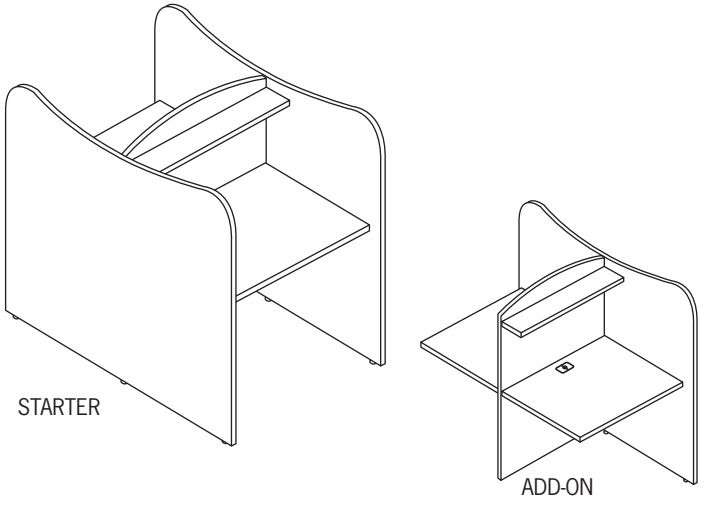
* Not recommended for work surfaces

VISUAL DISPLAY OPTIONS*

- TROLLEY E or EXL:**
 TE0724NK or TE0728NK
 TE0724CK or TE0728CK (26" Min. worksurface depth required)
- FLAT PANEL DOWNVIEW:**
 FPA1621NK & FPA1621AK (24" Min. worksurface depth required)
 FPA1818NK & FPA1818AK (24" Min. worksurface depth required)
 FPA1821NK & FPA1821AK (24" Min. worksurface depth required)
 FPA2121NK & FPA2121AK (30" Min. worksurface depth required)
- SURFACE MOUNT ARM:**
 SMA0203NK & SMA0203CK

*If visual display option is specified, a CPU shelf will be added.

DOUBLE CARREL - 53" H



FEATURES

- 1" (25.4mm) thermofused melamine work surface
 - 1/16" (2mm) banding
 - Standard edge detail: 2mm Flat PVC
 - Vertical graining on full-length modesty panels
 - Bookmatched vertical grain on door and drawer fronts
 - Matching edge banding colors
 - 155° hinges
 - 1/16" (2mm) banding around all doors and drawers
 - Manufactured with recycled post-industrial materials
 - Ships unassembled
 - 8" deep fixed accessory shelf
 - Rectangular black plastic grommet in worksurface
- Also available:**
- Wire management, six plug power strip, keyboards, grommets, dataports, CPU holder, and other accessories

MATCHING METAL COLORS (For furniture with metal modesty/legs)

POLISHED BLACK (PBL)	POLISHED SILVER (PSL)
SLATE (SLL)	